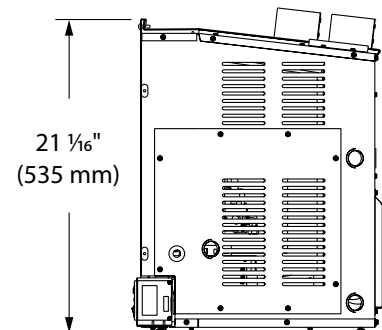
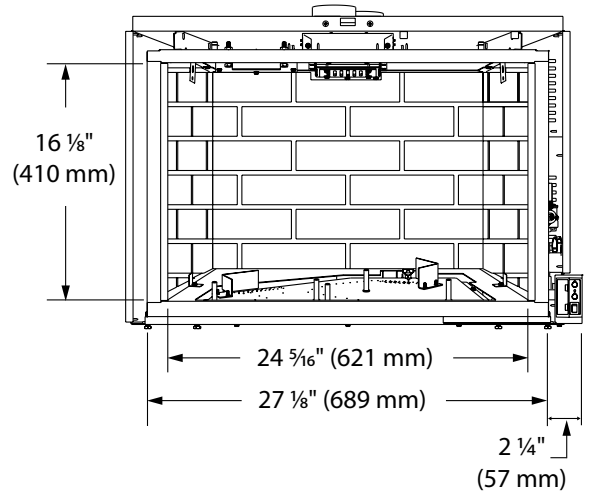
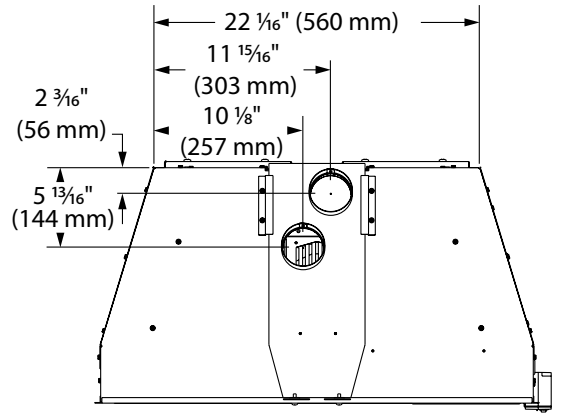


PRODUCT SPECIFICATIONS
VC31LDVI VICTORY
DIRECT VENT GAS INSERT



ACTUAL DIMENSIONS

Actual size: 29"W x 20"H x 16"D (737 mm x 508 mm x 406 mm)

Viewing area: 25 1/4"W x 16 1/8"H, 409 sq. in.
 (667 mm x 411 mm), 2638 sq. cm

FEATURES

- Direct vent gas insert with louverless flush face and simple, transitional styling
- Dual pan burner provides beautiful yellow flame and is easy to remove for servicing, gas conversion or to change from traditional to contemporary styling
- Rear burner shut down reduces input rate by 50% allowing for ambiance without the heat on milder evenings
- Total Signature Command™ with hand held touch screen remote control (TSFRSC) and A/C module (SCSACM)
- Dual blower (160 cfm)
- Illumination kit

TOTAL SIGNATURE COMMAND FEATURES

- A/C control with automatic battery back-up for operation during power failures
- Electronic ignition saves money and energy
- Optional cold climate pilot setting keeps flue warm, prevents condensation on door glass and keeps cold air from entering the home through the chimney
- Hi/Lo 3-step flame adjustment to run unit at your desired level of comfort
- Smart Mode® thermostat for enhanced energy efficiency
- Memory shut off remembers your favorite setting the next time the fireplace is turned on

FIELD INSTALLED ACCESSORIES

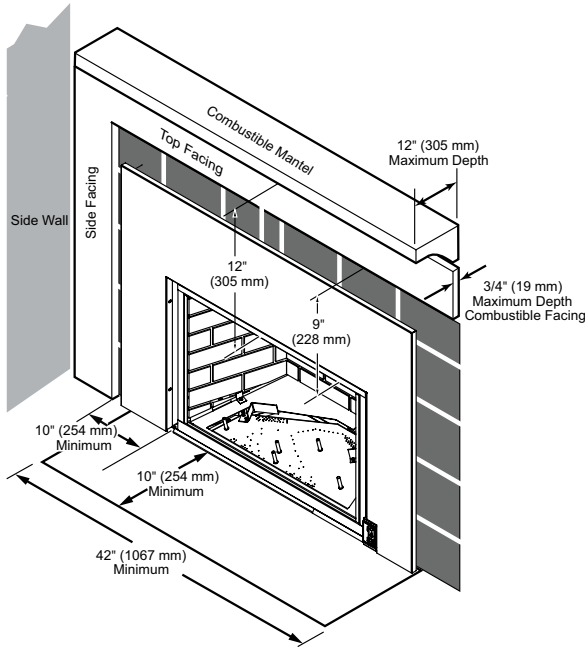
- Liner kits available in Old Word 3-D brick, New England 3-D fieldstone, black or bronze porcelain
- Floating face available in Satin Black, Vintage Iron, Textured Mocha, Brushed Nickel, Antique Copper
- Glass trim available in Vintage Iron, Textured Mocha, or Brushed Nickel
- Rustic arched or rectangular doors in Distressed Black Copper or Distressed Buff Pewter
- Contemporary arched or rectangular double doors in Satin Black, Vintage Iron, Textured Mocha, Brushed Nickel, Antique Copper

A Brand of Monessen Hearth Systems Co.
 149 Cleveland Drive, Paris, Kentucky 40361
www.vermontcastings.com

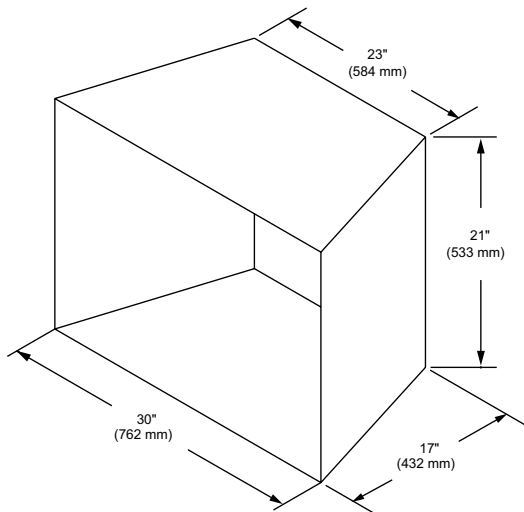
PRODUCT SPECIFICATIONS
VC31LDVI VICTORY
DIRECT VENT GAS INSERT



INSERT CLEARANCES



MINIMUM FIREPLACE OPENING



FIELD INSTALLED ACCESSORIES

- Three sided surrounds available:
 - ICF30S3B 26" H x 38" W x 2" D (side facing control) (660 mm x 965 mm x 51 mm)
 - ICF30S3FB 26" H x 38" W x 5/8" D (front facing control) (660 mm x 965 mm x 16 mm)
 - ICF30M3FB 30" H x 42" W x 5/8" D (front facing control) (762 mm x 1065 mm x 16 mm)
 - ICF30C3B 36" H x 44" W x 18 gauge trimmable (front facing control) (914 mm x 1118 mm)
- Termination Caps
 - 8" x 12" (HEDV32T812)
 - 8" x 12" (HEDV32T1212)
 - Round flue with adaptor (HEDVRT)
- Aluminum flex liner kits:
 - (2) 3" x 25' (76 mm x 7.6 m) (HEDVK25)
 - (2) 3" x 35' liners (76 mm x 10.7 m) (HEDVK35)
- Conversion kit for LP (required)
- Flue blocking plate which facilitates the use of chimney for combustion air supply (AI31AK33A)

TECHNICAL SPECIFICATIONS

BTU Input: 21,000 - 31,000 Natural Gas
 24,000 - 29,000 Liquid Propane
 Ignition System: Total Signature Command™
 Gas Type: Natural Gas or Liquid Propane
 Gas Line: Shut-off valve and 24" (610 mm) flex line
 Flue Type: 3" (76 mm) intake and 3" exhaust flex vent
 Termination: Intake and exhaust, top center slide connector
 Min./Max. Vent Height: 10' (3 m) min. / 40' (12.9 m) max.
 Design Certified: CSA

CLEARANCE TO COMBUSTIBLES

Front of Fireplace: 36" (914 mm)
 Mantel Clearance: 12" (305 mm) min. / 12" Depth (305 mm) max.
 Firebox Opening to Side Wall: 10" (254 mm)
 Hearth Requirement: 10" (254 mm)

EFFICIENCY DATA

AFUE Efficiency: 68% NG / 70.4% LP
 Canadian P4 Efficiency: 69% NG / 72% LP

MINIMUM FIREPLACE OPENING

30" W (Front) x 21" H x 17" D x 23" W (Rear)
 (762 mm x 533 mm x 432 mm x 584 mm)



To avoid personal injury or property damage, the product described by this brochure must be installed, operated and maintained in strict compliance with the instructions packaged with the product and all applicable building or fire codes. Contact local building or fire officials about restrictions and installation inspection requirements. All photographs and drawings on this brochure are for illustrative purposes only and are not intended for, nor should they be used as a substitute for the instructions packaged with the unit. Appearance and specifications of the product are subject to change without notice. © 2011 Monessen Hearth Systems Co. 1111 v1