



PRODUCT SPECIFICATIONS Encore Non-Catalytic Wood Stove



ACTUAL DIMENSIONS

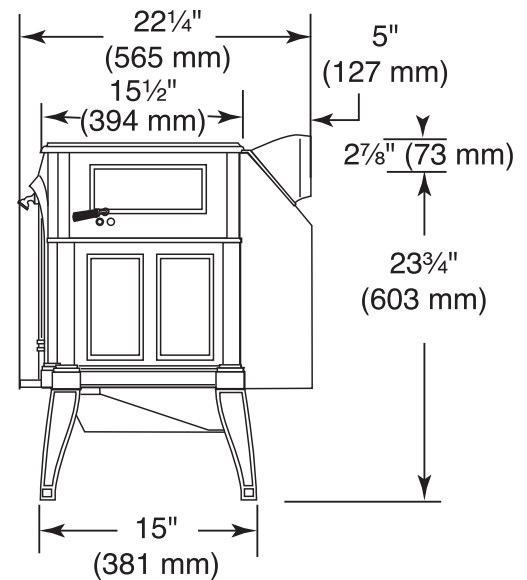
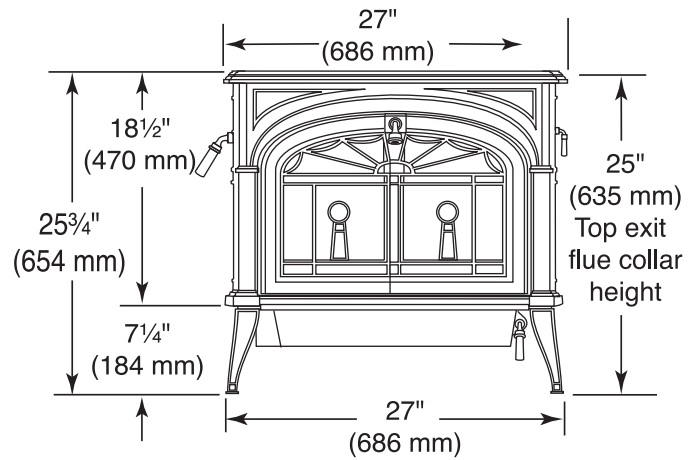
Unit Depth: 15"
Unit Height: 25-3/4"
Unit Width: 27"

TECHNICAL INFORMATION

Log Length: up to 20"
Burn Time: up to 10 hours
Heating Capacity: up to 1,900 sq. ft.
Maximum Heat Output: 40,000 BTUs/hr.
Efficiency Rating: 70%
EPA Emissions Rating: 0.7 grams/hr.
Weight: 395lbs
Flue Collar: 8" oval, reversible
(6" flue collars available)
Firebox Volume: 2.1 cubic feet
Clearances (with optional collar and pipe heat shields)
Back: 17" (measured to back of stove top)
Corner: 19"

FIELD INSTALLED ACCESSORIES

Custom sparkscreen for open door fire viewing (8" chimney only)
matching enamel pipe in four standard colors
Heat activated fan system
Outside air kit
Classic Black or choice of four enamel colors: Bordeaux, Biscuit,
Chestnut Brown, Biscuit and Ebony Black
Matching enamel pipe in four standard colors
6" cast iron flue collar (round)
Mobile home kit (U.S. and Canada)
Clearance reducing flue collar heat shield
Handy warming shelves with mitten racks



A Brand of Monessen Hearth Systems Co.
149 Cleveland Drive, Paris, Kentucky 40361
www.vermontcastings.com

To avoid personal injury or property damage, the product described by this brochure must be installed, operated and maintained in strict compliance with the instructions packaged with the product and all applicable building or fire codes. Contact local building or fire officials about restrictions and installation inspection requirements. All photographs and drawings on this brochure are for illustrative purposes only and are not intended for, nor should they be used as a substitute for the instructions packaged with the unit. Appearance and specifications of the product are subject to change without notice. © 2009 Monessen Hearth Systems Co.