



# PRODUCT SPECIFICATIONS Defiant Non-Catalytic Wood Stove



### ACTUAL DIMENSIONS

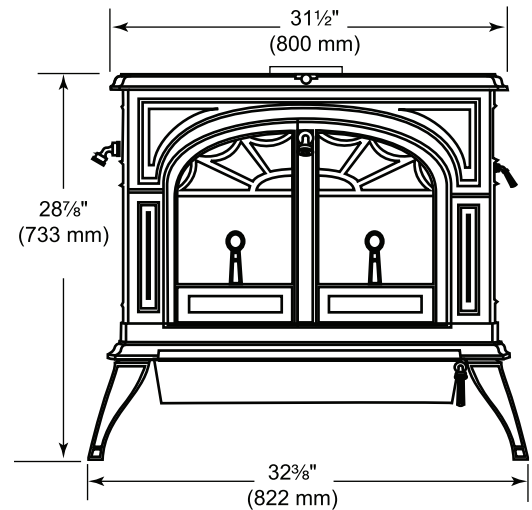
Unit Depth: 19"  
Unit Height: 28-7/8"  
Unit Width: 32-3/8"

### TECHNICAL INFORMATION

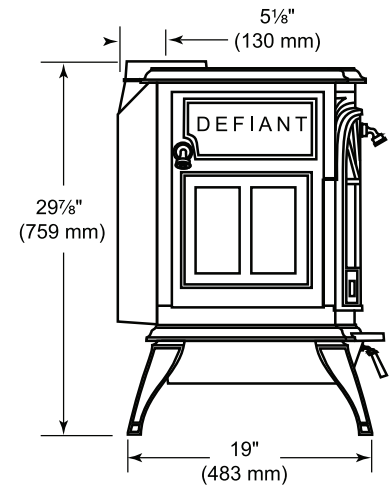
Log Length: up to 24"  
Burn Time: up to 12 hours  
Heating Capacity: up to 2,400 sq. ft.  
Maximum Heat Output: 60,000 BTUs/hr.  
Efficiency Rating: 69%  
EPA Emissions Rating: 0.75 grams/hr.  
Weight: 490lbs  
Flue Collar: 8" oval, reversible  
Firebox Size: 3.1 cubic feet  
Clearances (with optional collar and pipe heat shields and 8" chimney)  
Back: 17" (measured to back of stove top)  
Corner: 25"

### FIELD INSTALLED ACCESSORIES

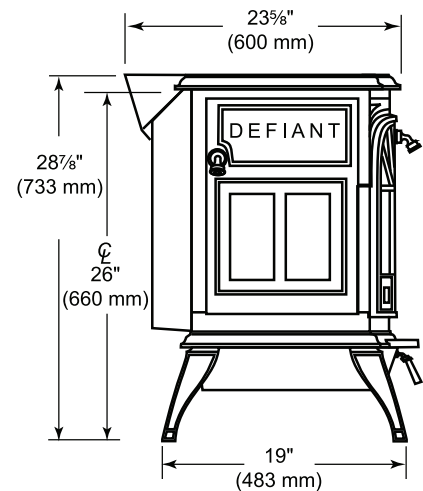
Custom sparkscreen for open door fire viewing  
Oval to 6" and 8" round adaptors available  
Choice of Classic Black or four enamel colors: Bordeaux, Biscuit, Chestnut Brown and Ebony Black  
Matching enamel pipe in four standard colors  
Clearance reducing rear heat shield  
Handy warming shelves with mitten racks  
Heat activated fan



Top Vent  
Collar position



Rear Vent  
Collar position



A Brand of Monessen Hearth Systems Co.  
149 Cleveland Drive, Paris, Kentucky 40361  
[www.vermontcastings.com](http://www.vermontcastings.com)

To avoid personal injury or property damage, the product described by this brochure must be installed, operated and maintained in strict compliance with the instructions packaged with the product and all applicable building or fire codes. Contact local building or fire officials about restrictions and installation inspection requirements. All photographs and drawings on this brochure are for illustrative purposes only and are not intended for, nor should they be used as a substitute for the instructions packaged with the unit. Appearance and specifications of the product are subject to change without notice. © 2009 Monessen Hearth Systems Co.