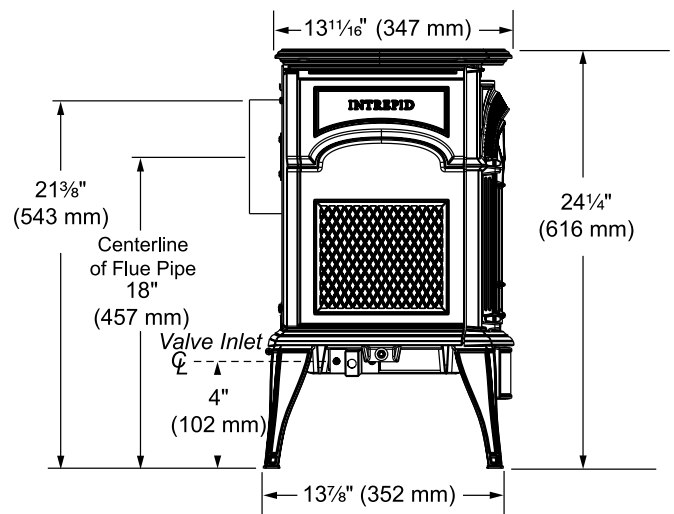
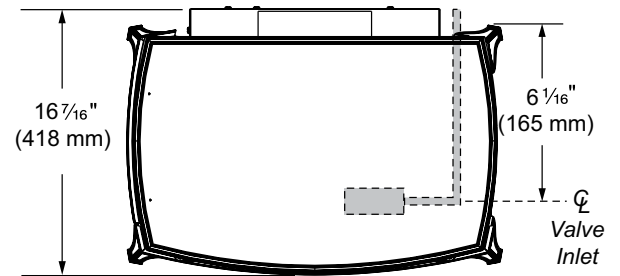


PRODUCT SPECIFICATIONS INTREPID DIRECT VENT GAS STOVE



ACTUAL DIMENSIONS

- Unit Depth: 16 7/16" (418 mm)
- Unit Height: 24 1/4" (616 mm)
- Unit Width: 21 3/4" (552 mm)

TECHNICAL INFORMATION

- Available in natural gas or propane models
- Heat Input: NG 18,500 - 12,500 BTUs
LP 16,000 - 12,000 BTUs
- Heating capacity: 600 sq. ft. (56 m²)
- Steady State Efficiency: 78%
- AFUE Efficiency: 76.5%
- EnerGuide Efficiency: 68%
- Venting: Rear
- Weight: 180 lbs. (82 kg)
- Clearances:
 - Back: 2 1/2" (64 mm)
 - Side: 4" (102 mm)
 - Corner: 2" (51 mm)
- Flooring: The heater must be installed on rigid flooring. When the heater is installed directly on any combustible surface other than wood flooring, a metal or wood panel extending the full width and depth of the unit must be used as the hearth.

FIELD INSTALLED ACCESSORIES

- Available in Classic Black, Biscuit, Majolica Brown, Ebony Black and Bordeaux
- Ambient Technologies™ remote controls and thermostats
- Warming shelves
- Fan kit (FK20)
- Open door screen kit (FSINT)

A Brand of Monessen Hearth Systems Co.
149 Cleveland Drive, Paris, Kentucky 40361
www.vermontcastings.com



To avoid personal injury or property damage, the product described by this brochure must be installed, operated and maintained in strict compliance with the instructions packaged with the product and all applicable building or fire codes. Contact local building or fire officials about restrictions and installation inspection requirements. All photographs and drawings on this brochure are for illustrative purposes only and are not intended for, nor should they be used as a substitute for the instructions packaged with the unit. Appearance and specifications of the product are subject to change without notice. © 2011 Monessen Hearth Systems Co. 0611v.1