



PRODUCT SPECIFICATIONS
Encore Two-In-One Wood Stove



ACTUAL DIMENSIONS

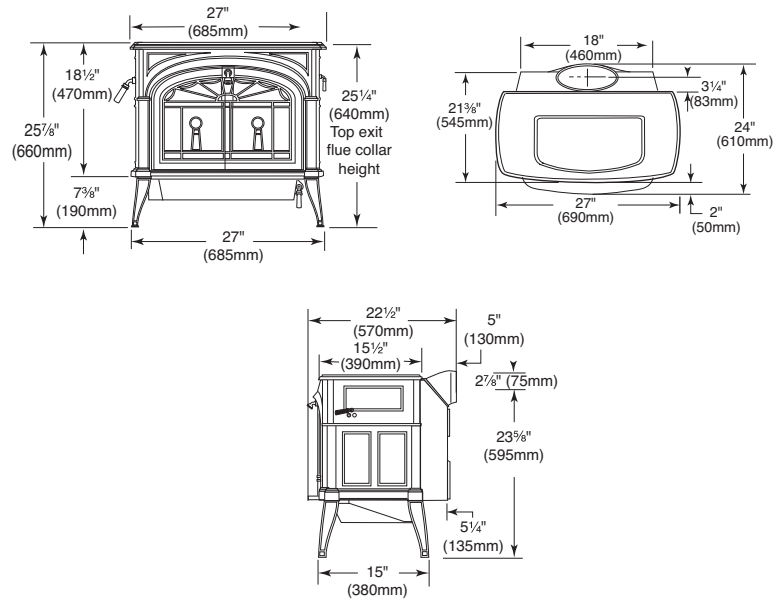
Unit Depth: 22-3/4"
Unit Height: 25-3/4"
Unit Width: 27"

TECHNICAL INFORMATION

Log Length: up to 22"
Burn Time: up to 12 hours
Heating Capacity: up to 1,900 sq. ft.
Maximum Heat Output: 65,000 BTUs/hr.
Efficiency Rating: Cat 86%, Non-Cat 78%
EPA Emissions Rating: Cat 1.2, Non-Cat 1.5
Weight: 471lbs
Flue Collar: 6" Round, reversible
(8" flue collars available)
Firebox Size: 2.3 ft.
Clearances (with single wall pipe and rear and flue collar heat shields)
Side 19"
Back (to rear heat shield): 15"
Corner (to back of stove top): 22"
Corner: 16"

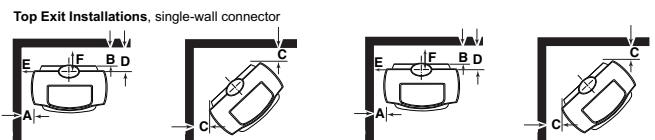
FIELD INSTALLED ACCESSORIES

Custom sparkscreen for open door fire viewing (8" chimney only)
Choice of Classic Black or four enamel colors: Bordeaux, Biscuit, Majolica Brown and Ebony Black
Matching enamel pipe in four standard colors
Clearance reducing rear heat shield
Handy warming shelves with mitten racks
Outside air termination kit
8" flue collar (oval)
Outside air adaptor



	Clearances for 6" Pipe Only ¹					
	Unprotected Surfaces			Protected Surfaces		
	Top Vent		Rear Vent	Top Vent		Rear Vent
	Side Wall	Double Wall		Single Wall	Double Wall	
A	19" (483 mm)	18" (458 mm)	22" (559 mm)	6" (153 mm)	n/a	11" (280 mm)
B ³	15" (381 mm)	7" (178 mm)	12" (305 mm)	6" (153 mm)	n/a	12" (305 mm)
C	16" (407 mm)	12" (305 mm)	n/a	12" (305 mm)	5" (127 mm)	n/a
D ⁴	22" (559 mm)	14" (356 mm)	19" (483 mm)	13" (254 mm)	n/a	19" (483 mm)
E ⁵	32 1/2" (826 mm)	31 1/2" (801 mm)	35 1/2" (902 mm)	18 1/2" (470 mm)	n/a	24 1/2" (623 mm)
F ⁵	18 1/4" (464 mm)	10 1/4" (261 mm)	n/a	9 1/4" (235 mm)	n/a	n/a

Unprotected Surfaces No Connector Heat Shield		Protected Surfaces with Connector Heat Shield	
Stove Installed Parallel to Wall	Stove in Corner	Stove Installed Parallel to Wall	Stove in Corner



Note:

- Using listed double wall oval to 6" round connector; all installations require supplied rear heat shield, flue collar shield and bottom heat shield
- Must use connector pipe heat shield and it must extend 36" (914 mm) above flue collar
- Measure from back of rear heat shield
- Measure from rear edge of cast iron top
- Measure to center of flue collar



A Brand of Monessen Hearth Systems Co.
149 Cleveland Drive, Paris, Kentucky 40361
www.vermontcastings.com

To avoid personal injury or property damage, the product described by this brochure must be installed, operated and maintained in strict compliance with the instructions packaged with the product and all applicable building or fire codes. Contact local building or fire officials about restrictions and installation inspection requirements. All photographs and drawings on this brochure are for illustrative purposes only and are not intended for, nor should they be used as a substitute for the instructions packaged with the unit. Appearance and specifications of the product are subject to change without notice. © 2010 Monessen Hearth Systems Co.