



Wood Burning Stoves



INTREPID II
IN MAJOLICA BROWN

welcome home

THE WARMTH AND COMFORT
OF A WOOD BURNING FIRE



Cast Iron Catalytic and Non-Catalytic Wood Stoves

Our Vermont Castings stoves offer classic warmth and timeless beauty that stands out from the competition. From our foundry in the heart of Vermont, we're proud to offer wood burning stoves that are cast and manufactured with fine craftsmanship and attention to detail. Made with 100% recycled iron, our wood burning stoves represent our 35-year commitment to eco-friendly manufacturing. Plus, our stoves lead the industry in efficiency to help reduce fuel costs. With options available in catalytic and non-catalytic combustion, our line of wood burning stoves provides excellent heating and will bring you warmth and comfort for years to come.

TAKE A LOOK AT SOME OF THE UNIQUE BENEFITS OF CATALYTIC AND NON-CATALYTIC OPERATION AND SEE WHICH IS BEST FOR YOU.



CATALYTIC

Offering higher efficiency heating, catalytic wood stoves are ideal for those who wish to replace a major portion of their heating needs with their wood stove.

- Higher efficiency lowers fuel costs to heat your home.
- Longer, more even heat output.
- Advanced features such as top-loading convenience and automatic thermostatic air control.

NON-CATALYTIC

Non-catalytic wood stoves are slightly more affordable and require less maintenance. Easy to start and operate, a non-catalytic wood stove is ideal for those with less heating demands.

- Lively, aesthetically pleasing flames.
- Easy to use and maintain (no catalytic combustor).

Intrepid II | CATALYTIC WOOD STOVE

FLEXIBLE INSTALLATION

With its compact size and optional short legs, the Intrepid II from Vermont Castings will fit just about anywhere!

SAVE MONEY ON FUEL COSTS

This compact catalytic wood stove offers high efficiency — more heat from less wood — as well as a clean burn, making it great for the environment as well.

PEACE OF MIND WITH AUTOMATIC THERMOSTATIC CONTROL

Your stove won't over-fire and you'll enjoy longer, more even temperatures with automatic thermostatic air control. Enjoy the freedom to start your fire and go, worry-free.

LONGER BURN TIMES WITH TOP-LOADING CONVENIENCE

The top load design allows you to fill the stove to nearly 100% of its capacity. This leads to longer burn times and greater heat output, so you don't have to load as often. Plus, it's safer and virtually eliminates the escape of embers during loading.



INTREPID II
IN CLASSIC BLACK



CONSIDER THESE ACCESSORIES:

- Convenient warming shelves with mitten racks are handy on cold winter days.
- Clearance-reducing rear heat shield allows for more flexible installation options.



RESOLUTE ACCLAIM
IN BISCUIT ENAMEL



CLASSIC BLACK

BISCUIT

MAJOLICA BROWN

EBONY BLACK

BORDEAUX

Resolute Acclaim | NON-CATALYTIC WOOD STOVE

LONGER BURN TIMES WITH TOP-LOADING CONVENIENCE

The top load design allows you to fill the stove to nearly 100% of its capacity. This leads to longer burn times, so you don't have to load as often. Plus, it's safer and virtually eliminates the escape of embers during loading. Front-loading is also available for your convenience.

CLASSIC STYLE AND CONVENIENCE

The polished cooking griddle offers the look of classic style while also providing a convenient place to warm bread to a delicious golden brown.

ECO-FRIENDLY PERFORMANCE

Longer burn times mean you can create more heat from less wood to help lower fuel costs. With low smoke emissions, this wood burning stove is a contemporary environmental and cost-conscious choice.

CONSIDER THESE ACCESSORIES

- The optional sparkscreen for open-door fire viewing lets you sit back and enjoy the beautiful flames.
- Warming shelves with mitten racks come in handy on cold winter days!



Aspen | NON-CATALYTIC WOOD STOVE

COMPACT DESIGN

Perfect for home or cottage, the Aspen offers the warmth and delight of a wood burning fire in even the smallest of spaces. With a lower height, the smallest of the non-catalytic wood stoves from Vermont Castings offers the benefits of a larger stove — but in a smaller, more compact package.

RADIANT HEATING

Though small in stature, the Aspen is designed to deliver great heating results for its size. The I.R.-Coated Ceramic Glass provides warm, radiant heat while offering a beautiful view of the dancing, wood-fire flames.

FORM AND FUNCTION

The top plate cooking surface offers the look of classic style while also providing a convenient place to warm food items like bread.



ASPEN
IN CLASSIC BLACK



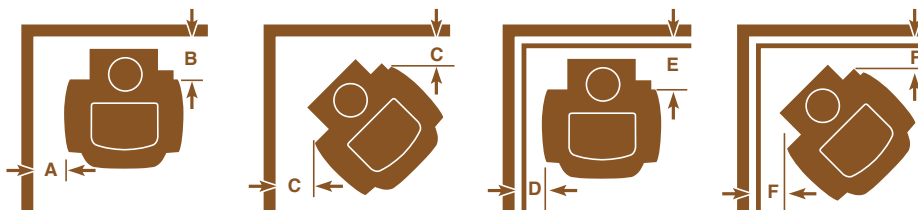
CLASSIC BLACK

BORDEAUX

Intrepid II | STOVE CLEARANCES

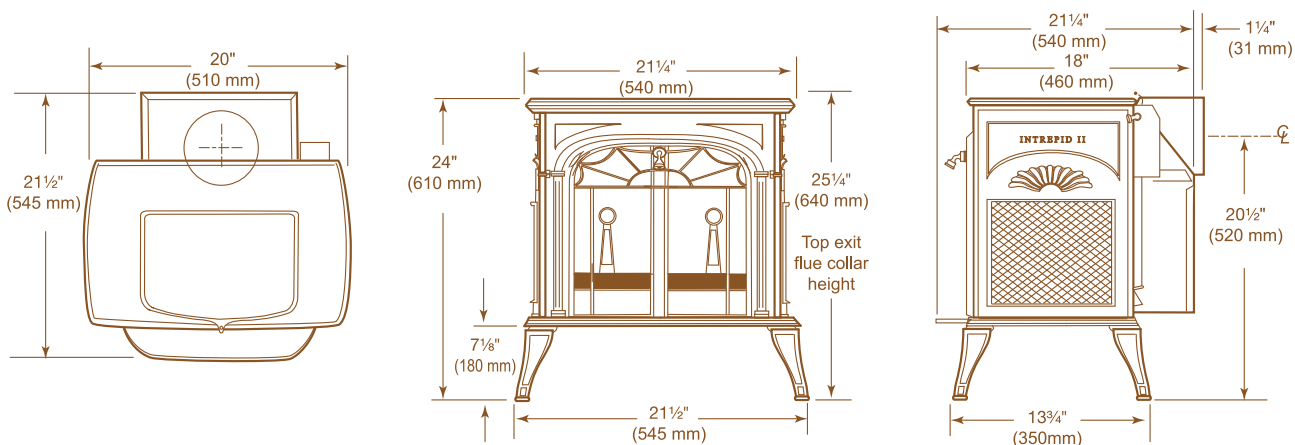


	UNPROTECTED SURFACE			PROTECTED SURFACE		
	PARALLEL INSTALLATION		CORNER INSTALLATION	PARALLEL INSTALLATION		CORNER INSTALLATION
	Side (A)	Rear (B)	Corner (C)	Side (D)	Rear (E)	Corner (F)
No heat shields	24" (610 mm)	30" (610 mm)	20" (508 mm)	12" (305 mm)	16" (330 mm)	10" (254 mm)
Top exit, rear heat shield, single wall pipe w/ connector shields ^{1,2}	24" (610 mm)	16" (406 mm)	12" (305 mm)	12" (305 mm)	9" (229 mm)	10" (254 mm)
Rear exit, rear heat shield only ³	24" (610 mm)	14" (356 mm)	N/A	12" (305 mm)	9" (229 mm)	N/A
Top exit, rear heat shield, double wall pipe ⁴	24" (610 mm)	16" (406 mm)	12" (305 mm)	N/A	N/A	N/A
	UNPROTECTED SURFACE No Connector Heat Shield			PROTECTED SURFACE with Connector Heat Shield		
	Stove installed parallel to wall		Stove in corner	Stove installed parallel to wall		Stove in corner



1. Shielding for a top exit stove must include the stove rear heat shield insert to protect the area behind the flue collar.
2. Chimney connector heat shields, in an installation that goes through a combustible ceiling, must extend to 1" (25 mm) below the ceiling heat shield, which is 22" (559 mm) in diameter. The ceiling heat shield should be 24 gauge or heavier sheet metal, centered on the chimney connector, and mounted on noncombustible spacers.
3. Rear exit — horizontal from flue collar directly back through wall.
4. In top exit installations, this clearance requires the use of the rear heat shield with the shield insert installed.

PRODUCT DIMENSIONS

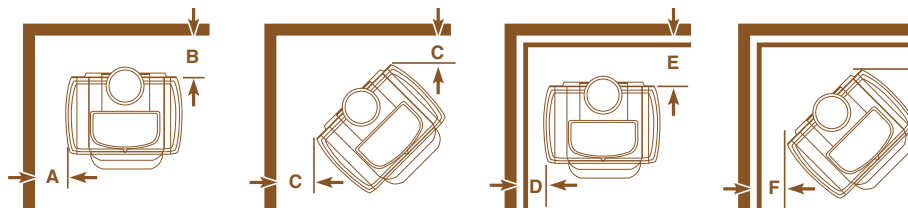


Resolute Acclaim | STOVE CLEARANCES



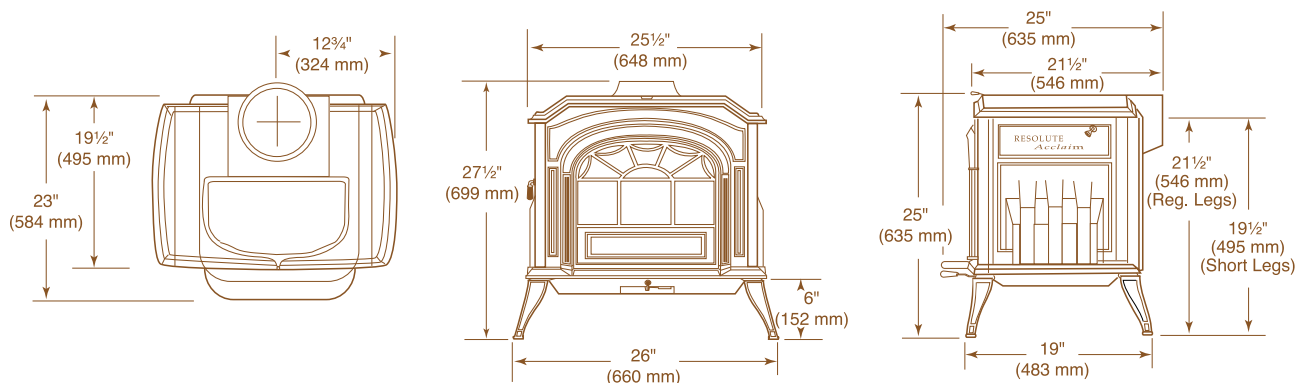
	UNPROTECTED SURFACE			PROTECTED SURFACE		
	PARALLEL INSTALLATION		CORNER INSTALLATION	PARALLEL INSTALLATION		CORNER INSTALLATION
	Side (A)	Rear (B)	Corner (C)	Side (D)	Rear (E)	Corner (F)
No heat shields	15" (380 mm)	24" (610 mm)	15" (380 mm)	8" (203 mm)	13" (330 mm)	8" (203 mm)
Top exit, rear heat shield only ¹	15" (380 mm)	24" (610 mm)	15" (380 mm)	8" (203 mm)	13" (330 mm)	8" (203 mm)
Rear exit, rear heat shield only	15" (380 mm)	10" (254 mm)	N/A	8" (203 mm)	7" (180 mm)	N/A
Top exit, rear heat shield, single wall pipe w/ connector shields ^{1,2}	15" (380 mm)	15" (380 mm)	15" (380 mm)	8" (203 mm)	9" (229 mm)	8" (203 mm)
Top exit, rear heat shield, double wall pipe ^{1,3}	15" (380 mm)	17" (432 mm)	15" (380 mm)	N/A	N/A	N/A

UNPROTECTED SURFACE No Connector Heat Shield		PROTECTED SURFACE with Connector Heat Shield	
Stove installed parallel to wall	Stove in corner	Stove installed parallel to wall	Stove in corner



1. When a rear heat shield is installed on a top exit stove, the shield insert must be attached to the shield so the area behind the flue collar on the stove is protected.
2. Chimney connector heat shields must extend exactly 28" (710 mm) above the flue collar of the stove. No shielding can be used on the connector above 28" (710 mm). The unshielded chimney connector above the 28" (710 mm) point will be 14" (360mm) from an unprotected wall or 8" (203 mm) from a protected wall.
3. In top exit installations, this clearance requires the use of the rear stove heat shield with the shield insert installed.

PRODUCT DIMENSIONS





	UNPROTECTED SURFACE			PROTECTED SURFACE		
	PARALLEL INSTALLATION		CORNER INSTALLATION	PARALLEL INSTALLATION		CORNER INSTALLATION
	Side (A)	Rear (B)	Corner (C)	Side (D)	Rear (E)	Corner (F)
No heat shields	24" (610 mm)	13" (330 mm)	13" (330 mm)	16" (406 mm)	9" (229 mm)	8" (203 mm)
Top exit, rear heat shield only ¹	24" (610 mm)	11" (279 mm)	13" (330 mm)	16" (406 mm)	9" (229 mm)	8" (203 mm)
Rear exit, rear heat shield only	24" (610 mm)	11" (279 mm)	N/A	16" (406 mm)	9" (229 mm)	N/A
Top exit, rear heat shield, single wall, connector shields ^{1,2}	24" (610 mm)	9" (229 mm)	13" (330 mm)	16" (406 mm)	9" (229 mm)	8" (203 mm)
Top exit, rear heat shield, double wall, connector shields ^{1,3}	24" (610 mm)	7" (178 mm)	13" (330 mm)	16" (406 mm)	7" (178 mm)	8" (203 mm)

UNPROTECTED SURFACE No Connector Heat Shield

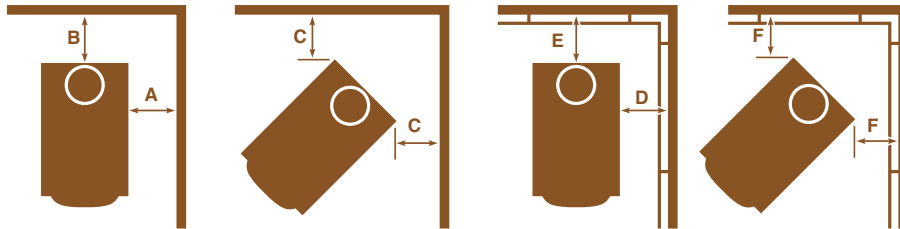
Stove installed parallel to wall

Stove in corner

PROTECTED SURFACE with Connector Heat Shield

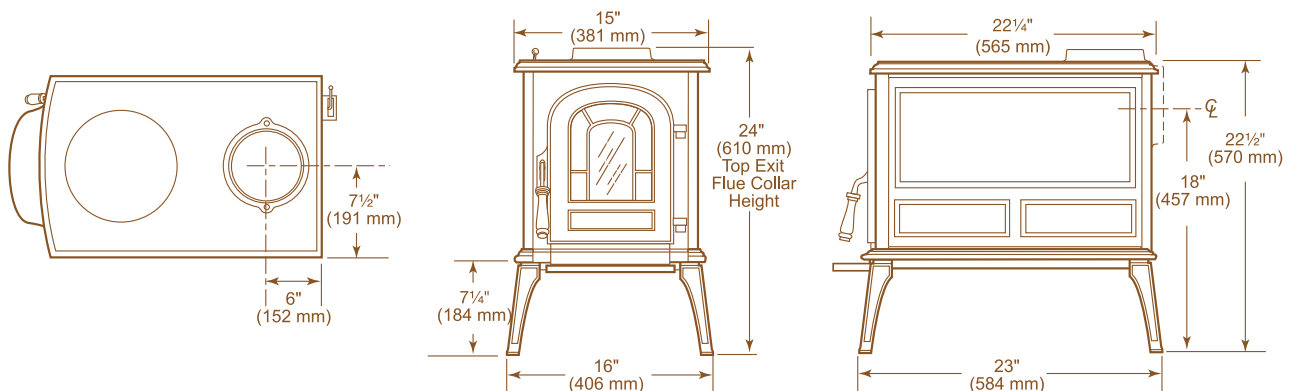
Stove installed parallel to wall

Stove in corner



1. When a rear heat shield is installed on a top exit stove, the shield insert must be attached to the shield so the area behind the flue collar on the stove is protected.
2. Chimney connector heat shields must extend exactly 24" (610 mm) above the top of the stove. No shielding can be used on the connector above 24" (610 mm). The unshielded chimney connector above the 24" (610 mm) point must be 13" (330 mm) from an unprotected wall.
3. In top exit installations, this clearance requires the use of the rear stove heat shield with the flue collar cover plate installed.

PRODUCT DIMENSIONS



	ASPEN	INTREPID II	RESOLUTE ACCLAIM
Combustion method	Non-Catalytic	Catalytic	Non-Catalytic
HEATING CAPACITY			
Burn Time	Up to 5 hrs	Up to 6 hrs	Up to 9 hrs
Approx. Heating Area	600 sq. ft.	1,200 sq. ft.	1,600 sq. ft.
Maximum BTUs/HR	28,500	36,000	51,000
Log Size	Up to 16" logs	Up to 16" logs	Up to 16" logs
Efficiency	81%	85%	75%
Emission (Grams/Hr)	4.3	2.1	3.4
Firebox size (cu. ft.)	1.0	1.3	1.7
ADDITIONAL FEATURES			
Thermostatic Control	Yes	Yes, automatic	—
Ash Pan	Yes	Yes	Yes, pull-out
Loading Style	Front-loading	Convenient top-loading and front-loading	Convenient top-loading and front-loading
UL/ULC Design Certified	Yes	Yes	Yes
Cooking Surface	Top plate cooking surface	Polished cooking griddle	Polished cooking griddle
Outside Air Ready	Yes	Yes	Yes
INSTALLATION			
Reversible Flue Collar	Yes, 6"	Yes, 6"	Yes, 6"
Leg Levelers	—	Yes	Yes
Included Heat Shield	Bottom & Rear	Bottom	—
Dimensions*	16"W x 24"H x 23"D	21½"W x 24"H x 21½"D	26"W x 27½"H x 23"D
OPTIONAL ACCESSORIES			
Custom Sparkscreen for open door fire viewing	—	Yes	Yes
Clearance-reducing Heat Shield	—	Rear	Bottom & Rear
Handy Warming Shelves with Mitten Racks	—	Yes	Yes
Matching Enamel Pipe	—	Yes, 4 standard colors	Yes, 4 standard colors
Outside Air Adaptor	Yes	Yes	Yes
AVAILABLE COLORS			
	Classic Black, Bordeaux	Classic Black, Biscuit, Majolica Brown, Ebony Black, Bordeaux	Classic Black, Biscuit, Majolica Brown, Ebony Black, Bordeaux

*Flue collar in top exit position.



CLASSIC BLACK



BISCUIT



MAJOLICA BROWN



EBONY BLACK



BORDEAUX

NOTE: ALL COLORS ARE ENAMEL EXCEPT CLASSIC BLACK.

Burn times and heat outputs are based on laboratory testing using full loads of seasoned hardwoods, and may vary depending on how the stove is operated, type of wood and other factors. Average heating capacity is based on operation in building code-conforming homes under typical winter climate in New England, and also may vary.

Efficiency ratings are based on independent laboratory testing. See owner's manual for complete installation and clearance requirements.

All Vermont Castings stoves meet Washington State emissions standards.



Your Vermont Castings Dealer :



MADE GREEN

with recycled iron and reused raw materials

To avoid personal injury or property damage, the product described by this brochure must be installed, operated and maintained in strict compliance with the instructions packaged with the product and all applicable building or fire codes. Contact local building or fire officials about restrictions and installation inspection requirements.

All photographs and drawings on this brochure are for illustrative purposes only and are not intended for, nor should they be used as a substitute for the instructions packaged with the unit. Appearance and specifications of the product are subject to change without notice. © 2011 Monessen Hearth Systems Co. 10814_0111

A Brand of Monessen Hearth Systems Co.
149 Cleveland Drive, Paris, Kentucky 40361
www.vermontcastings.com

VER.06 VC1608

