



WOOD BURNING SAVANNAH
STEEL STOVES AND INSERT

FINELY-CRAFTED STEEL SOLUTIONS





Savannah Steel Insert SSI30

Sleek and elegant in its utility, the Savannah Series adds warmth and style to any room. Designed and crafted with meticulous attention to detail, you can be confident your Savannah stove or insert is one of the finest built today. In fact, each of our steel products is guaranteed to last with a Limited Lifetime Warranty. Featuring the latest wood burning technology, our Savannah non-catalytic hearth products are EPA Phase II and Washington State certified, and are among the cleanest burning around.

Enjoy THESE BENEFITS AVAILABLE WITH ALL OF OUR STEEL HEARTH PRODUCTS

BEAUTIFUL AND EFFICIENT

Our **high-tech combustion system** with single air control produces a lively, vibrant burn and controls air intake for longer, more even burn times.

A specially designed **air manifold** keeps the non-sooting, Ever Clean glass clear for a beautiful view of the flames at all times.

LONG LASTING QUALITY

Heavy plate steel construction and brick retainers extend firebox life well beyond that of other stoves — up to 15 additional years!

Easy Glide door latches are specifically designed to provide a positive and safe lock and will not deteriorate from use or heat.

OUTSTANDING CONVENIENCE

Maintenance is easier than ever with the **removable baffle and trouble-free ash-disposal system** that allows for convenient in-place chimney cleaning.

Plus, standard **side and rear heat shields** help reduce clearances and installation costs by eliminating the need for wall boards or heat protection.

OUR HIGH-TECH COMBUSTION SYSTEM PROVIDES THESE ADVANTAGES:

LONGER, MORE EVEN BURN TIMES

The Single Primary Air Intake/Control conveniently regulates air to the primary combustion zone and controls the burn rate to maximize burn times and maintain even temperatures. Better control and longer burn times mean a more efficient stove.

OPTIMAL EFFICIENCY

Secondary Air Inlets direct metered air into strategic locations to ensure that combustion of any unburned gases is complete for optimal efficiency. In addition, the Refractory Baffle System slows heated gases to promote complete combustion and efficient heat transfer.

COMPLETE COMBUSTION

Supplemental Primary Air prevents waste and promotes complete combustion by burning all available fuel during the final stage of combustion.

EXCEPTIONALLY CLEAN GLASS

The Air Wash Manifold disperses preheated air downward to shield the glass from soot particles and keep it clean at all burn rates.

FINE QUALITY

The Refractory Liner protects the firebox for many years of maintenance-free enjoyment while also helping promote higher firebox temperatures for complete combustion.

HOW IT WORKS:

Primary air enters a pre-heating plenum through the bottom of the stove and rises through side manifolds.

Pre-heated air is dispersed downward across the glass door front.

Secondary combustion air is introduced in the top of the stove firebox through a series of metered air tubes.

A **Lower Air Inlet** introduces metered air at the base of the primary combustion zone to complete combustion of fuel.

A **refractory baffle** is designed to slow gases. It increases residence time and creates turbulence, mixing the unburned gases with combustion air for complete combustion and optimum efficiency.



Savannah Steel Stove SSW30 shown with step-top and pedestal



SSW40

THE LARGEST OF OUR STEEL STOVES, THIS MODEL IS PERFECT FOR HEATING BIGGER AREAS.

GREATER HEATING CAPACITY

With burn rates up to 75,000 BTUs, this stove has the capacity to heat up to 3,000 square feet, so you can be sure you'll stay warm and toasty.

EXCEPTIONALLY CLEAN GLASS

Truly an advantage on our Savannah stoves, the AirWash Manifold disperses preheated air downward to shield the glass from soot particles and provide a clear view at all times.

FORM & FUNCTION

The attractive step top element is a functional feature as well. It acts as a heat plenum, collecting the heat and distributing it evenly into the room.

ADDITIONAL FEATURES:

- Easy Clean Ash Drawer – Unlike traditional ash drop systems, the Savannah stove ash pan is fed by a heavy duty cast iron grate, which will not plug up and does not need to be removed during clean-up. Once ashes are funneled into the ash pan, the ash drawer slides out easily for quick, clean disposal.
- Top vent only with 6" flue

OPTIONS:

- Blower for more efficient heating



Savannah Steel Stove SSW40 shown with step top and cast iron legs.

SSW30

IDEAL FOR ALMOST ANY SPACE, THIS MODEL OFFERS SEVERAL STYLE OPTIONS SO YOU CAN CHOOSE THE LOOK THAT'S RIGHT FOR YOUR HOME.

DESIGN OPTIONS TO SUIT YOUR STYLE

Available in both flat-top and useful step-top design as well as the choice of cast iron legs or contemporary pedestal, the SSW30 lets you create a unique look to match your home.

BEAUTIFUL VIEW

With 159 square inches of viewing area, this stove lets friends and family enjoy the view of dancing flames through the expansive, clean-front glass door. The AirWash Manifold prevents the glass from sooting up, maintaining a clear view at all times.

ADDITIONAL FEATURES:

- Convenient Ash Removal System (excludes SSW30FTPB)
- Top vent only with 6" flue

OPTIONS:

- Blower for more efficient heating



Pictured above with flat top and pedestal.
Pictured below with step top and black cast legs.
Pictured on cover with flat top and black cast legs.



SSW20

PERFECT FOR CABINS, COTTAGES AND ANY OTHER SMALL SPACE THAT REQUIRES BOTH WARMTH AND STYLE.

BUILT FOR UTILITY

Economical in size, the SSW20 efficiently warms up to 1,000 square feet and accommodates logs up to 18 inches long.

MADE FOR STYLE

Even though it's small, this stove delivers big style points. Your friends and family will enjoy the sleek style of its clean lines and generous viewing area.

ADDITIONAL FEATURES:

- Top vent only with 6" flue

OPTIONS:

- Black cast legs
- Blower for more efficient heating



Shown with optional Black cast legs.
(Black steel legs are standard.)

SSI30 INSERT

A GREAT WAY TO TURN YOUR INEFFICIENT MASONRY FIREPLACE INTO A PRODUCTIVE WAY TO HEAT YOUR HOME.

UPDATE YOUR EXISTING MASONRY FIREPLACE

Easily convert your current fireplace into a more efficient heat source. With a high-tech combustion system and clean, vibrant burn, you'll get the most warmth and ambiance out of your fireplace.

EASY AND FLEXIBLE INSTALLATION

A removable flue collar and a unique leveling system with rear wheels provides hassle-free installation. Plus, our adjustable hearth was specifically engineered to fit the SSI30 and to accommodate raised fireplace applications. Adjustable from 3" to 8", the optional hearth is designed to accept decorative coverings such as stone, marble or tile, up to ¾" thick. The self-adjusting surrounds are available in two sizes, and accommodate variations in fireplace depths.



Savannah Steel Stove SSI30

ADDITIONAL FEATURES:

- 160 CFM variable speed, thermally activated blower with manual override (shown at right)
- Cast door and ash lip
- 6" removable flue collar for easy installation
- Approved for masonry and factory-built fireplaces*



OPTIONS:

- Surrounds in 2 Sizes: 30" x 40" and 34" x 44"
- Adjustable hearth (adjusts from 3" to 8")
- Offset flue adapter (3" and 6")



Adjustable Hearth
(Assembled view)



Adjustable Hearth
(Exploded view)

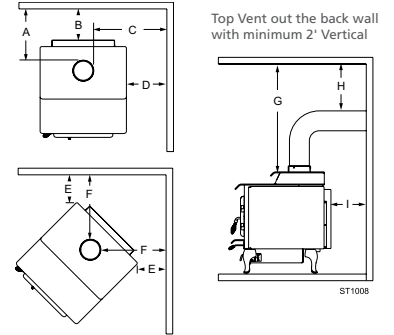
*See installation manual for installation in factory built fireplaces.

CLEARANCES

Minimum clearances to combustible materials in inches. NOTE: All "A," "C" and "F" dimensions are to the stove pipe.

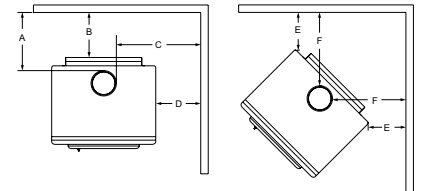
SSW40

INSTALLATION: Full Vertical	A	B	C	D	E	F	G	H	I
Single Wall Pipe Step Top Model	15" (381 mm)	10" (254 mm)	26" (660 mm)	15" (381 mm)	8" (203 mm)	20" (508 mm)	50" (1270 mm)	18" (457 mm)	8" (203 mm)
Double Wall Pipe Step Top Model	13" (330 mm)	8" (203 mm)	23" (584 mm)	12" (305 mm)	6" (152 mm)	18" (457 mm)	50" (1270 mm)	18" (457 mm)	6" (152 mm)

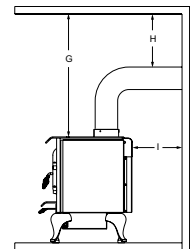


SSW30

INSTALLATION: Full Vertical	A	B	C	D	E	F	G	H	I
Single Wall Pipe Flat Top Model	15" (381 mm)	11" (279 mm)	22" (559 mm)	11" (279 mm)	7" (178 mm)	17" (432 mm)	51" (1295 mm)	14" (356 mm)	11" (279 mm)
Step Top Model	12" (305 mm)	8" (203 mm)	19" (483 mm)	12" (305 mm)	7" (178 mm)	17" (432 mm)	51" (1295 mm)	14" (356 mm)	8" (203 mm)
Double Wall Pipe Flat Top Model	11" (279 mm)	7" (178 mm)	18" (457 mm)	7" (178 mm)	7" (178 mm)	16" (406 mm)	51" (1295 mm)	14" (356 mm)	8" (203 mm)
Step Top Model	11" (279 mm)	7" (178 mm)	18" (457 mm)	7" (178 mm)	6" (152 mm)	15" (381 mm)	51" (1295 mm)	14" (356 mm)	8" (203 mm)

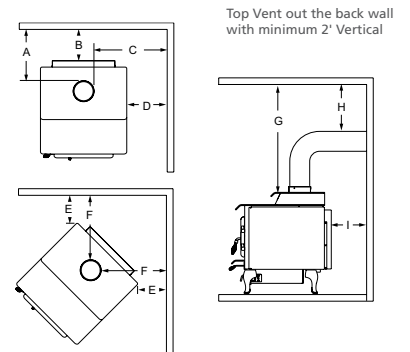


INSTALLATION: 90° Elbow Off Top of Stove Through Back Wall	A	B	C	D	E	F	G	H	I
Single Wall Pipe Flat Top Model	14" (356 mm)	11" (279 mm)	21" (546 mm)	11" (279 mm)	n/a	n/a	51" (1295 mm)	14" (356 mm)	11" (279 mm)
Step Top Model	14" (356 mm)	11" (279 mm)	21" (546 mm)	11" (279 mm)	n/a	n/a	51" (1295 mm)	14" (356 mm)	8" (203 mm)



SSW20

INSTALLATION: Full Vertical	A	B	C	D	E	F	G	H	I
Single Wall Pipe Flat Top Model	15 1/4" (387 mm)	11" (279 mm)	24 1/4" (616 mm)	15" (381 mm)	9" (229 mm)	17 1/2" (445 mm)	50" (1270 mm)	18" (457 mm)	11" (279 mm)
Double Wall Pipe Flat Top Model	11 1/4" (286 mm)	7" (178 mm)	24 1/4" (616 mm)	15" (381 mm)	9" (229 mm)	17 1/2" (445 mm)	50" (1270 mm)	18" (457 mm)	7" (178 mm)



WOOD BURNING SAVANNAH STEEL STOVES AND INSERT

Model	SSW20	SSW30FTPB	SSW30FTAL	SSW30FTAPB	SSW30STAL	SSW30STAPB	SSW40	SSI30
SPECIFICATIONS								
Firebox Size (cu ft)	1.5	2	2	2	2	2	3.25	2
Log Length	18"	20"	20"	20"	20"	20"	22"	20"
Fire Viewing Area (sq in)	115	159	159	159	159	159	159	159
Flue size	6"	6"	6"	6"	6"	6"	6"	6"
Mobile Home Approved (US/CAN)	Yes	Yes	Yes	Yes	Yes	Yes	Yes	No
Shipping Weight (lbs)	375	460	470	475	490	524	520	360
Width	24"	27 ¾"	27 ¾"	27 ¾"	27 ¾"	27 ¾"	27 ¾"	27 ½"
Width of Legs	21 ¼"	—	26"	—	26"	—	26 ½"	—
Depth of Legs	19"	—	19 ¼"	—	19 ¼"	—	23"	—
Depth	24 ½"	24 ¼"	24 ¼"	24 ¼"	24 ¼"	24 ¼"	32"	22 ¾"
Depth in Fireplace	—	—	—	—	—	—	—	10" - 14"
Protrusion on Hearth	—	—	—	—	—	—	—	8" - 12"
Height to Top of Collar	30 ¾"	32 ¾"	30 ¼"	32 ¼"	33 ¾"	36 ¼"	33 ¾"	22"
Height to Top of Stove	28 ¾"	30 ¾"	28 ¾"	30 ¾"	28 ¾"	30 ¾"	31 ½"	20 ½"
Height to Top of Step Top	—	—	—	—	32"	34 ½"	33 ¼"	—
Door Opening	8" x 13 ⅝"	8 ¼" x 18 ¼"	8 ¼" x 18 ¼"	8 ¼" x 18 ¼"	8 ¼" x 18 ¼"	8 ¼" x 18 ¼"	7 ¾" x 18 ¼"	—
PERFORMANCE								
Emission (g/hr)	3.76	2.5	2.5	2.5	2.5	2.5	4.3	3.5
Heat Output (BTU/hr)	7,000 - 26,000	11,000 - 30,600	11,000 - 30,600	11,000 - 30,600	11,000 - 30,600	11,000 - 30,600	12,000 - 36,000	11,000 - 29,600
Efficiency	Up to 77.2%	Up to 80.7%	Up to 80.7%	Up to 80.7%	Up to 80.7%	Up to 80.7%	Up to 71.4%	Up to 79.4%
Heating Capacity (sq ft)	1,000	2,200	2,200	2,200	2,200	2,200	3,000	2,200
Burn Time (hr)	8	10	10	10	10	10	13	10
Max Burn Rate (BTU/hr)	36,000	55,400	55,400	55,400	55,400	55,400	75,000	55,400
Dual Impeller Blower	160 cfm	160 cfm	160 cfm	160 cfm	160 cfm	160 cfm	160 cfm	160 cfm

NOTE: Square foot heating capacities are approximations only. They will vary depending upon the level of insulation, climate, house design, ceiling height, ambient outside temperatures and how the appliance is operated.



THE ART OF WARMING YOUR HOME

A brand of Monessen Hearth Systems Co.
149 Cleveland Drive, Paris, Kentucky 40361
vermontcastings.com



To avoid personal injury or property damage, the product described by this brochure must be installed, operated and maintained in strict compliance with the instructions packaged with the product and all applicable building or fire codes. Contact local building or fire officials about restrictions and installation inspection requirements. All photographs and drawings on this brochure are for illustrative purposes only and are not intended for, nor should they be used as a substitute for the instructions packaged with the unit. Appearance and specifications of the product are subject to change without notice.
©2011 Monessen Hearth Systems Co. 11066_0911 VC1011 Ver2