



**COOKING AREA**

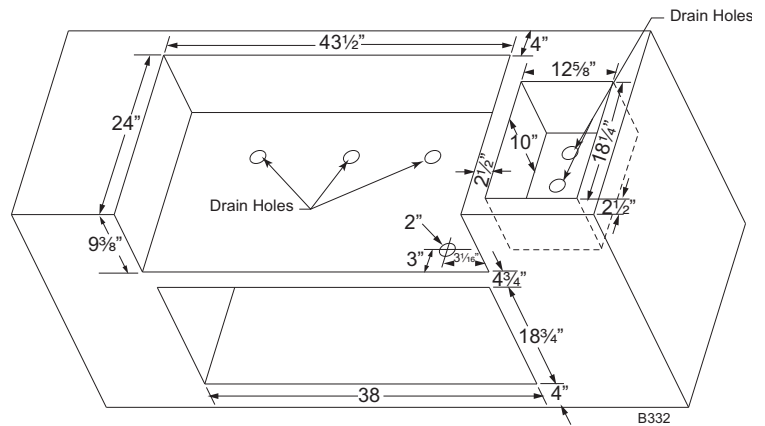
651 sq. in.

**TECHNICAL INFORMATION**

- BTU/h (Max.): 62,500 BTU
- Warming Rack: 286 sq. in.
- Energy Type: Natural gas, Propane (LP)
- Grill Head Size: 38"
- Front Hood Construction: Stainless Double Wall /Cast Iron Ends
- Rear Hood Construction: Black Enamel
- Cart Width x Depth: 38 x 22"
- Sear Plates: Stainless Steel
- Cooking Grates: Porcelain Cast Iron
- Rotisserie Kit: Yes
- Temp Gauge: Yes
- Smoker Box: Yes
- LP Tank Location: Built-In (underneath bbq)
- Grease Management: Pull-Out Access Door
- Knobs: Plastic on Chrome Bezels
- Handle: Stay Cool, Bent w/Grip
- Back-lit Dials: Yes
- Griddle Plate: Cast Iron
- Burner Style: 5 Stainless Steel
- Burner Box Construction: Black Enamel
- Infrared Rotisserie Burner 20,000 BTU
- CSA Design Certified

**FIELD INSTALLED ACCESSORIES**

- Side Burner: Optional
- Cart Doors: Optional Double Door Kit
- Insulation Jacket: Optional



NOTE: This grill is designed to be supported by the fascia brackets provided. A base is not required to support the weight. If a base is constructed, it is recommended to drill drain holes.



A Brand of Monessen Hearth Systems Co.  
149 Cleveland Drive, Paris, Kentucky 40361  
[www.vermontcastings.com](http://www.vermontcastings.com)

To avoid personal injury or property damage, the product described by this brochure must be installed, operated and maintained in strict compliance with the instructions packaged with the product and all applicable building or fire codes. Contact local building or fire officials about restrictions and installation inspection requirements. All photographs and drawings on this brochure are for illustrative purposes only and are not intended for, nor should they be used as a substitute for the instructions packaged with the unit. Appearance and specifications of the product are subject to change without notice. © 2009 Monessen Hearth Systems Co. 10/10 V.3