

PRODUCT SPECIFICATIONS
WR1500L02 Wood Stove



OVER-ALL DIMENSIONS

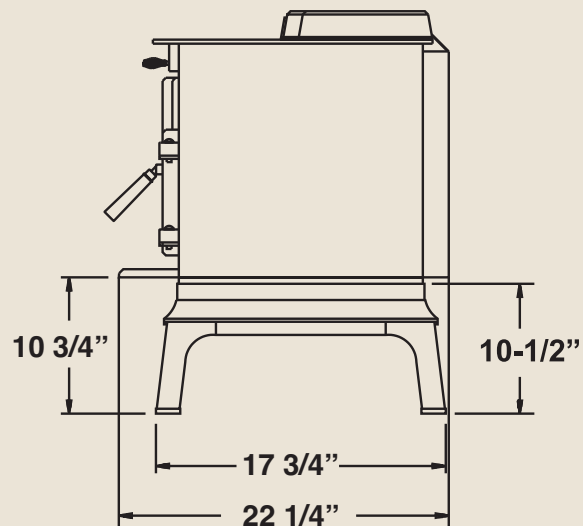
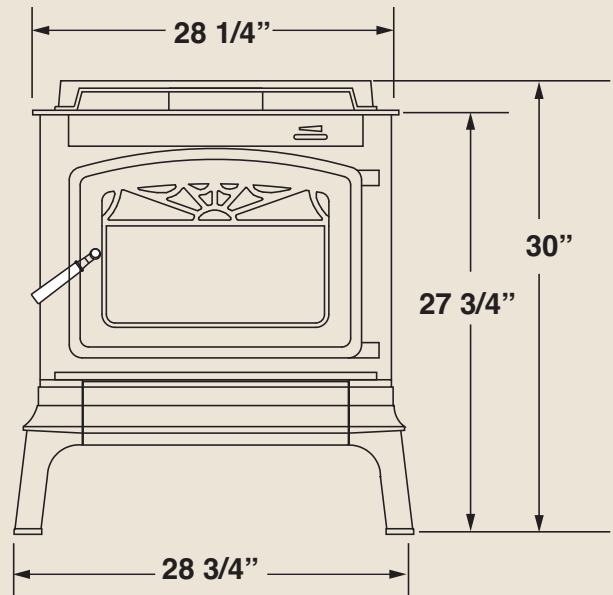
Unit Height: 30"
 Unit Width: 28-1/4"
 Unit Depth: 22-1/4"

TECHNICAL INFORMATION

Heat Capacity sq. ft.: up to 1,500
 EPA Burn Rate (BTU/hr.): 10,370-29,301
 Avg. Efficiency: 63.0%
 Avg. Emissions: 4.4 g/hr.
 Firebox Vol. cu. ft.: 1.5
 Log Length: 22"
 Product Weight lbs.: 385lbs.
 Shipping Weight lbs.: 395lbs.
 Ash Drawer: Yes
 Clearances:
 Back: 7"
 Corner: 4"

FIELD INSTALLED ACCESSORIES

Style and performance - heavy 5/16" thick top
 Firebrick firebox lining
 Cast-iron door, air hood, ash lip, and base elements
 Three sizes with your choice of legs or pedestal
 All Cast-Steel models include convenient ash drawer
 All cast iron components are made in our Vermont foundry
 Brushed Nickel handle to match today's interior finishes
 Convective side panels reduce side clearances



A Brand of Monessen Hearth Systems Co.
 149 Cleveland Drive, Paris, Kentucky 40361

www.monessenhearth.com



To avoid personal injury or property damage, the product described by this brochure must be installed, operated and maintained in strict compliance with the instructions packaged with the product and all applicable building or fire codes. Contact local building or fire officials about restrictions and installation inspection requirements. All photographs and drawings on this brochure are for illustrative purposes only and are not intended for, nor should they be used as a substitute for the instructions packaged with the unit. Appearance and specifications of the product are subject to change without notice. © 2010 Monessen Hearth Systems Co. 06/10 Rev. 1