

PRODUCT SPECIFICATIONS

WR1000L02 Wood Stove



OVER-ALL DIMENSIONS

Unit Height: 27"

Unit Width: 23-3/4"

Unit Depth: 20-1/2"

TECHNICAL INFORMATION

Heat Capacity sq. ft.: up to 1,000

EPA Burn Rate (BTU/hr.): 10,467-26,100

Avg. Efficiency: 74.5%

Avg. Emissions: 5.3 g/hr.

Firebox Vol. cu. ft.: 1.3

Log Length: 18"

Product Weight: 222lbs.

Shipping Weight: 270lbs.

Ash Drawer: Yes

Clearances:

Back: 7"

Corner: 5-1/2"

FIELD INSTALLED ACCESSORIES

Style and performance - heavy 5/16" thick top

Firebrick firebox lining

Cast-iron door, air hood, ash lip, and base elements

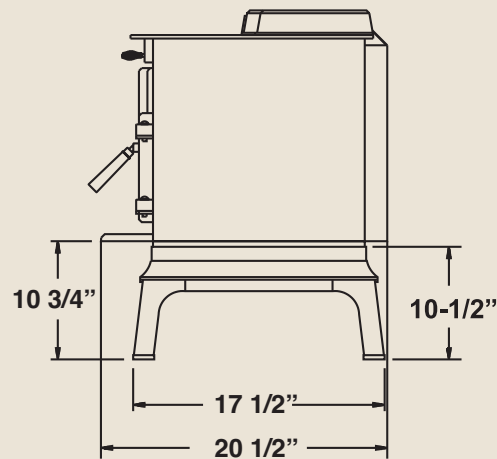
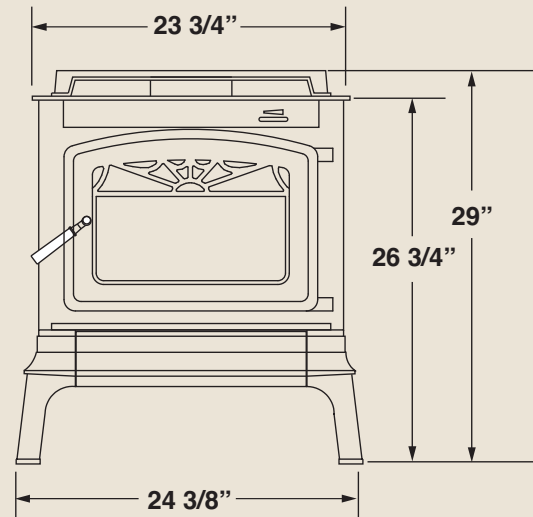
Three sizes with your choice of legs or pedestal

All Cast-Steel models include convenient ash drawer

All Cast-Iron components are made in our Vermont foundry

Brushed Nickel handle to match today's interior finishes

Convective side panels reduce side clearances



A Brand of Monessen Hearth Systems Co.
149 Cleveland Drive, Paris, Kentucky 40361

www.monessenhearth.com

