

PRODUCT SPECIFICATIONS

RFSDV34 Direct Vent Steel Stove



ACTUAL DIMENSIONS

Unit Depth: 19-3/8"

Unit Height: 31-1/2"

Unit Width: 26-1/4"

TECHNICAL INFORMATION

BTU Input High: 30,000 LP & NG

BTU Input Low: 22,500 LP / 21,000 NG

EnerGuide Ratings Fireplace Efficiency: 72.1%

AFUE by D.O.E. Efficiency: 70%

Steady State Efficiency Rating: 84% LP & 83%

Weight: 155lbs

Clearances: Back: 0" Sides: 12"

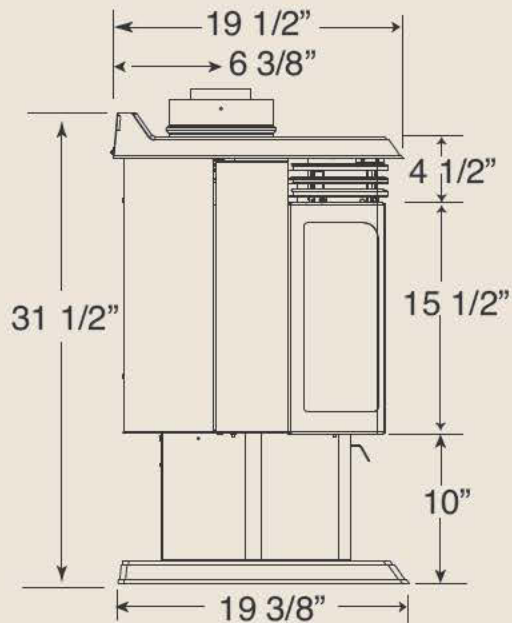
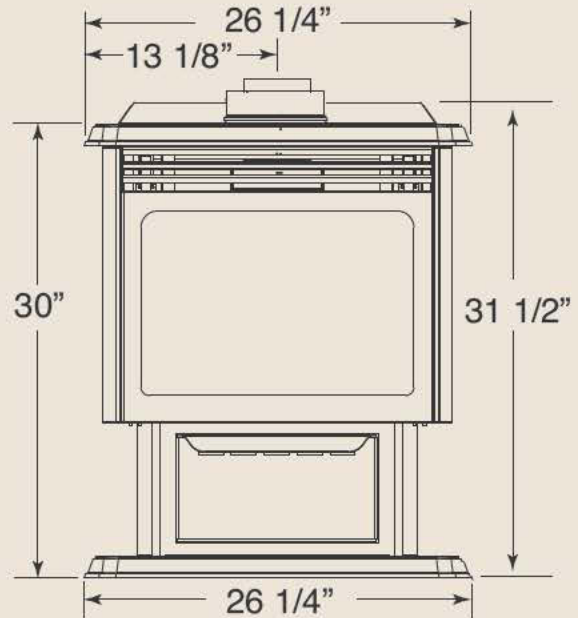
Comes standard with Integrated Total System Control including Fan and Remote Control

FIELD INSTALLED ACCESSORIES

Antique Brass (RFSDV34TKA) or Pewter (RFSDV34TKS) Window Trim & 7" Rings

Polished Brass Window Trim (Flue Rings Extra) (RFSDV34TKP)

Charcoal Gray, Polished Brass or Pewter Flue Rings



A Brand of Monessen Hearth Systems Co.
149 Cleveland Drive, Paris, Kentucky 40361

www.monessenhearth.com

