

PRODUCT SPECIFICATIONS

Right & Left Corner (LRF36/LLF36) Designer Vent Free Firebox



INTERIOR DIMENSIONS

Front opening width: 35 15/16"

Front opening height: 28"

Firebox depth: 23 13/16"

TECHNICAL INFORMATION

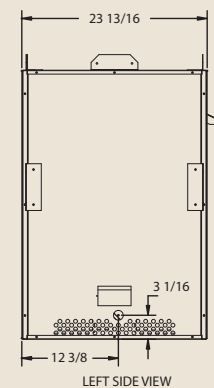
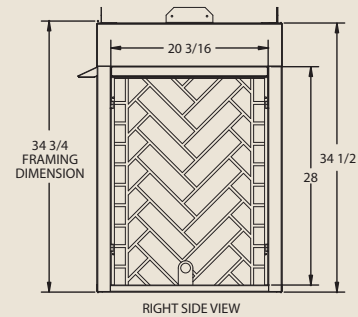
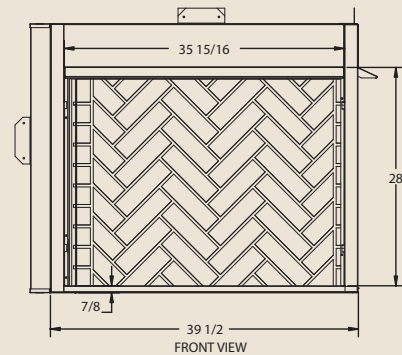
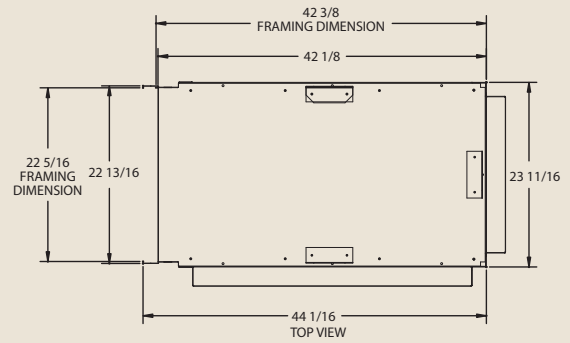
Clearance to Fireplace: Zero

CSA Design Certified

FIELD INSTALLED ACCESSORIES

Variable Thermostat Controlled Forced Air Blower

Brass Hood



A Brand of Monessen Hearth Systems Co.
149 Cleveland Drive, Paris, Kentucky 40361

www.monessenhearth.com



To avoid personal injury or property damage, the product described by this brochure must be installed, operated and maintained in strict compliance with the instructions packaged with the product and all applicable building or fire codes. Contact local building or fire officials about restrictions and installation inspection requirements. All photographs and drawings on this brochure are for illustrative purposes only and are not intended for, nor should they be used as a substitute for the instructions packaged with the unit. Appearance and specifications of the product are subject to change without notice. © 2009 Monessen Hearth Systems Co.