

PRODUCT SPECIFICATIONS CDVR42(7) and CDVT42(7) Direct Vent



GLASS VIEWING AREA

33-1/16" W x 20-3/8" H (672 Square Inches)

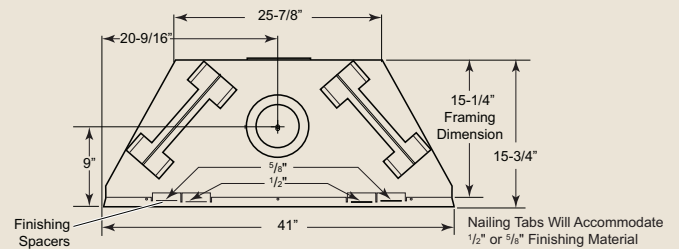
TECHNICAL INFORMATION

Max. Btu Input: 24,000 BTU/HR
 Ignition System: Signature Command System
 Gas Type: Natural or LP
 Flue Type: 4" x 7" T-Lock Pipe
 Termination: Rear or Top Vent models
 Clearance to Flue for Interior: 3" Top, 1" Bottom and Sides**
 Clearance to Flue for Outside Wall: 1"
 Clearance to Fireplace: Zero Clearance
 CSA Design Certified

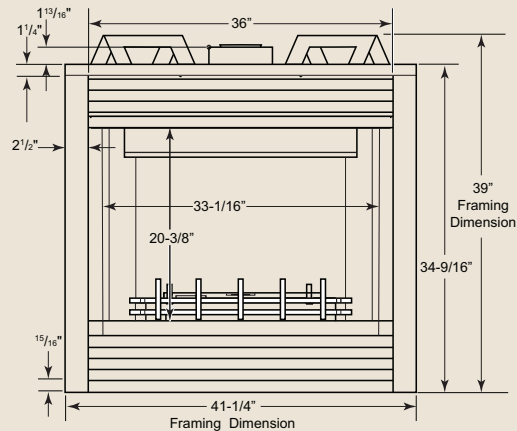
FIELD INSTALLED ACCESSORIES

Louvers: Polished Brass, Pewter
 Curved Trim: Brass, Pewter, Black
 Medium Trim Kit: Brass, Pewter, Black
 Variable Thermostat Controlled Forced Air Blower (160 cfm) – BLOTSC Fan and Cord: FK12
 Cottage Clay firebrick (FBCD(R/T)42CC)
 Natural Gas Conversion Kit (CDV42CKNS)
 LP Gas Conversion Kit (CDV42CKPS)
 Mesh Glass Cover
 Ambient Technologies™ Remote Controls and Thermostats
 Designer Facings
 Current BDV500 trim and facing accessories will fit this unit.

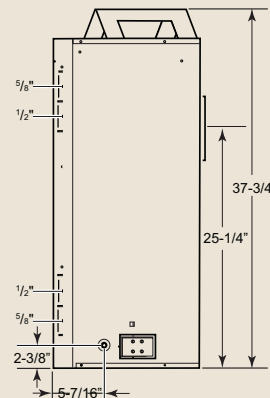
** If vertical rise is 7-1/2 feet or higher when in top vent configuration only (CDVT), the vent clearance to combustibles is 1" on all sides of the horizontal run.



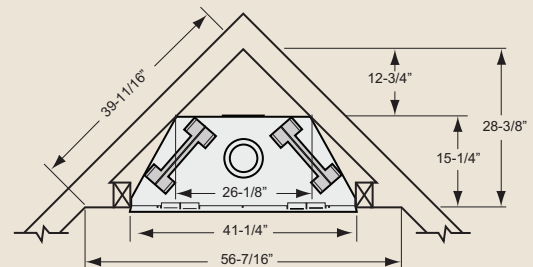
TOP VIEW



FRONT VIEW



SIDE VIEW



CORNER INSTALLATION



A Brand of Monessen Hearth Systems Co.
 149 Cleveland Drive, Paris, Kentucky 40361

www.monessenhearth.com



To avoid personal injury or property damage, the product described by this brochure must be installed, operated and maintained in strict compliance with the instructions packaged with the product and all applicable building or fire codes. Contact local building or fire officials about restrictions and installation inspection requirements. All photographs and drawings on this brochure are for illustrative purposes only and are not intended for, nor should they be used as a substitute for the instructions packaged with the unit. Appearance and specifications of the product are subject to change without notice. ©2010 Monessen Hearth Systems Co.