

PRODUCT SPECIFICATIONS

BFC36 Royal Monarch Balanced-Flue Fireplace



FIREBOX DIMENSIONS

Front opening width: 36"

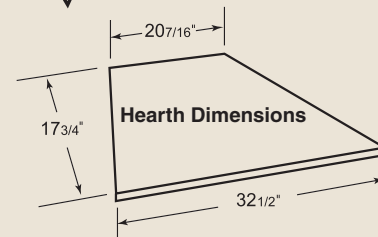
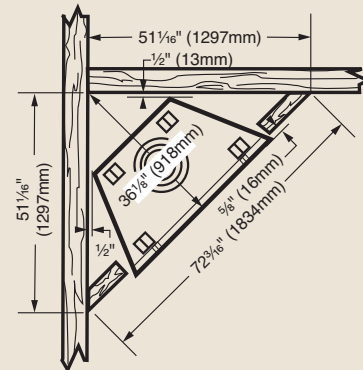
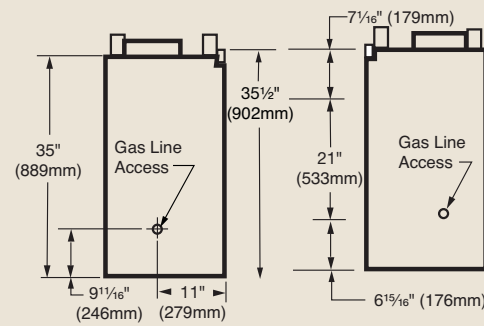
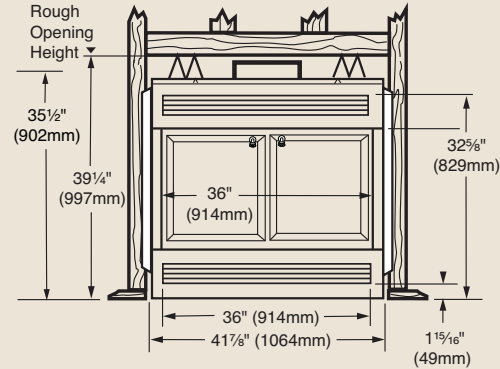
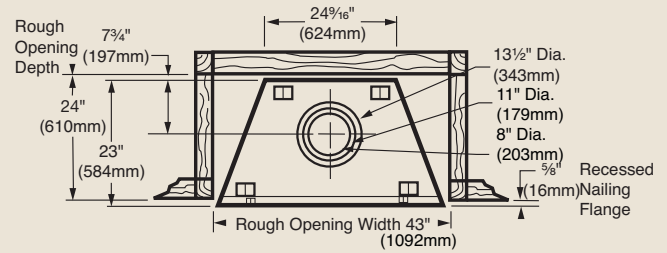
Front opening height: 21"

TECHNICAL INFORMATION

- Flue Series: 8" S-Series Triple-Wall
- Flue Size: 8" Inner; 11" Intermediate; 13-3/8" Outer
- Clearance to Chimney Pipe: 2"
- Firestop Framing: 17-1/2" x 17-1/2"
- Minimum Flue Height: 14' 6"
- Maximum Flue Height: 50'
- Minimum Height with 2 Elbows: 14' 6"
- Minimum Height with 4 Elbows: 21'
- Clearance to Fireplace: 1/2" to sides and 1" to back
- Minimum Hearth Size: 18" x 47-1/4"
- UL/ULC Design Certified
- EPA Exempt Fireplace
- Blower and speed control standard
- Cast iron Black doors standard

FIELD INSTALLED ACCESSORIES

- Terminations (Std.): S8 Series RLTS8, RLTS8L, SLTS8
- Uses no house air for combustion or chimney cooling



A Brand of Monessen Hearth Systems Co.
149 Cleveland Drive, Paris, Kentucky 40361

www.monessenhearth.com



To avoid personal injury or property damage, the product described by this brochure must be installed, operated and maintained in strict compliance with the instructions packaged with the product and all applicable building or fire codes. Contact local building or fire officials about restrictions and installation inspection requirements. All photographs and drawings on this brochure are for illustrative purposes only and are not intended for, nor should they be used as a substitute for the instructions packaged with the unit. Appearance and specifications of the product are subject to change without notice. © 2009 Monessen Hearth Systems Co. 05/10