

PRODUCT SPECIFICATIONS  
**624DVST See-Thru Designer Direct Vent**



**GLASS VIEWING AREA**

Front Opening Width: 32-1/4"  
 Front Opening Height: 19-1/2"

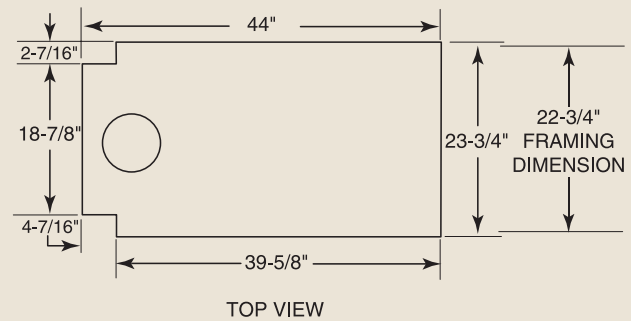
**TECHNICAL INFORMATION**

Max. Btu Input: 36,000 BTU/HR  
 Ignition System: Standing Pilot or Electronic  
 Gas Type: Natural or LP  
 Flue Type: Simpson Dura-Vent, Selkirk Metalbestos, Metal Fab  
 Termination: Rear/Top Vent Convertible  
 Clearance on Flue for Interior: 3" Top, 1" Bottom and Sides\*\*  
 Clearance on Flue for Outside Wall: 1"  
 Clearance on Fireplace: 1/2"  
 Firebrick: Cottage Clay  
 CSA Design Certified

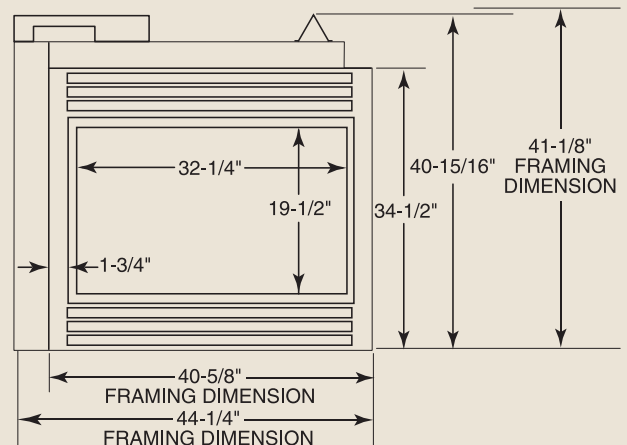
**FIELD INSTALLED ACCESSORIES**

Louvers: Polished Brass, Pewter  
 Medium Trim Kits: Black, Polished Brass, Pewter  
 Variable Thermostat Controlled Forced Air Blower (160 cfm) - BLOT Fan and Cord: FK12  
 Ambient Technologies™ Remote Controls and Thermostats  
 Classic Facings

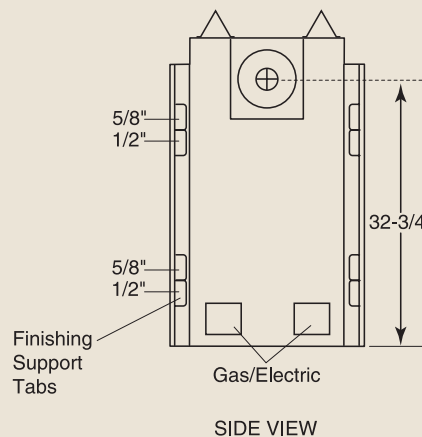
\*\* If vertical rise is 7-1/2 feet or higher when in top vent configuration only, the vent clearance to combustibles is 1" on all sides of the horizontal run.



TOP VIEW



FRONT VIEW



SIDE VIEW

Framing dimensions in illustrations accommodate 1/2" finishing material.



A Brand of Monessen Hearth Systems Co.  
 149 Cleveland Drive, Paris, Kentucky 40361

[www.monessenhearth.com](http://www.monessenhearth.com)



To avoid personal injury or property damage, the product described by this brochure must be installed, operated and maintained in strict compliance with the instructions packaged with the product and all applicable building or fire codes. Contact local building or fire officials about restrictions and installation inspection requirements. All photographs and drawings on this brochure are for illustrative purposes only and are not intended for, nor should they be used as a substitute for the instructions packaged with the unit. Appearance and specifications of the product are subject to change without notice. © 2009 Monessen Hearth Systems Co.