

PRODUCT SPECIFICATIONS

See Thru (SSTB) Radiant Wood Burning Fireplace



FIREPLACE OPENING

Front opening width: 38"

Front opening height: 23-1/4"

TECHNICAL INFORMATION

Flue Series (Std.): "L" Series Double Wall

Flue Size: 11" Inner; 13" Outer

Clearance to Flue: 2"

Firestop Framing: 17" x 17"

Minimum Flue Height: 13'

Maximum Flue Height: 90'

Minimum Height with 2 Elbows: 13'

Minimum Height with 4 Elbows: 21'

Clearance to Fireplace: 3/4"

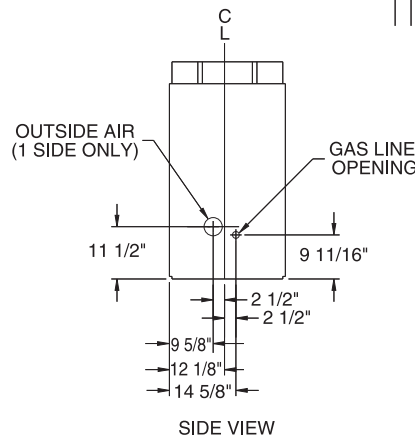
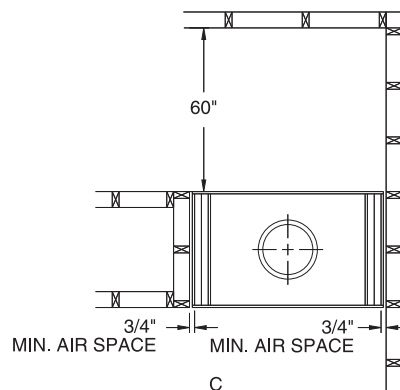
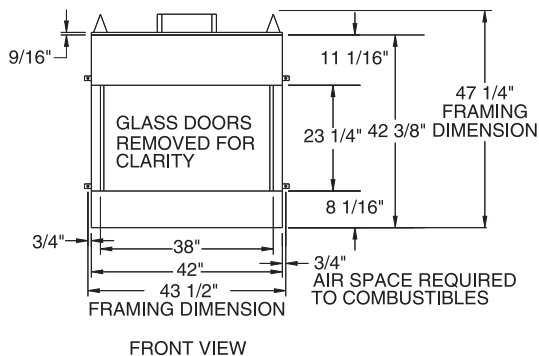
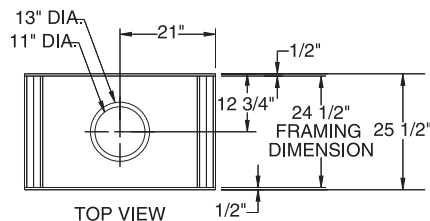
Minimum Hearth Size: 16" x 48-3/4"

OMNI Design Certified

FIELD INSTALLED ACCESSORIES

Outside Air Kit: AK4, FP4U, 403

Terminations (Std.): "L" Series LC, LCL, CF11, LFSQT, LPC



Framing dimensions in illustrations accommodate 1/2" finishing material.



A Brand of Monessen Hearth Systems Co.
149 Cleveland Drive, Paris, Kentucky 40361
www.majesticproducts.com



To avoid personal injury or property damage, the product described by this brochure must be installed, operated and maintained in strict compliance with the instructions packaged with the product and all applicable building or fire codes. Contact local building or fire officials about restrictions and installation inspection requirements. All photographs and drawings on this brochure are for illustrative purposes only and are not intended for, nor should they be used as a substitute for the instructions packaged with the unit. Appearance and specifications of the product are subject to change without notice. 09/09