

PRODUCT SPECIFICATIONS

# See-Thru (STR36) Wood Burning Fireplace



### FIREPLACE OPENING

Front opening width: 36"

Front opening height: 21"

### TECHNICAL INFORMATION

Flue Series (Std.): SK8 Double Wall

Flue Size: 8" Inner; 11" Outer

Clearance to Chimney Pipe: 1-1/2"

Firestop Framing: 14-1/2" x 14-1/2"

Minimum Flue Height: 15' 6"

Maximum Flue Height: 90'

Minimum Height with 2 Elbows: 17' 6"

Minimum Height with 4 Elbows: 21'

Clearance to Fireplace: 1/2" to sides

Minimum Hearth Size: 16" x 48"

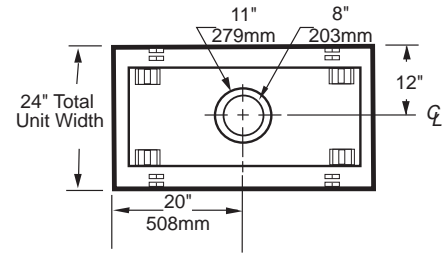
UL & ULC Design Certified

### FIELD INSTALLED ACCESSORIES

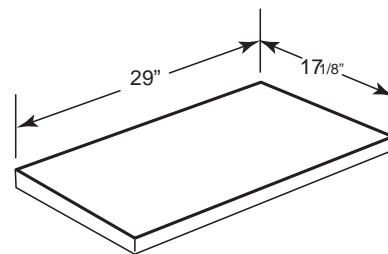
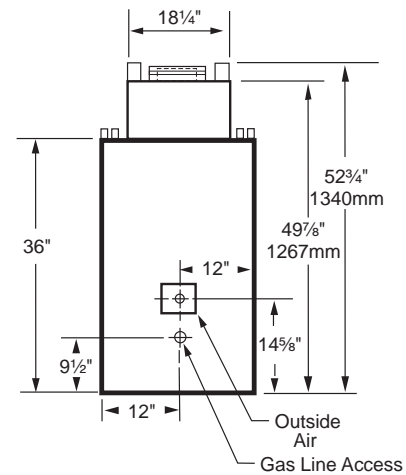
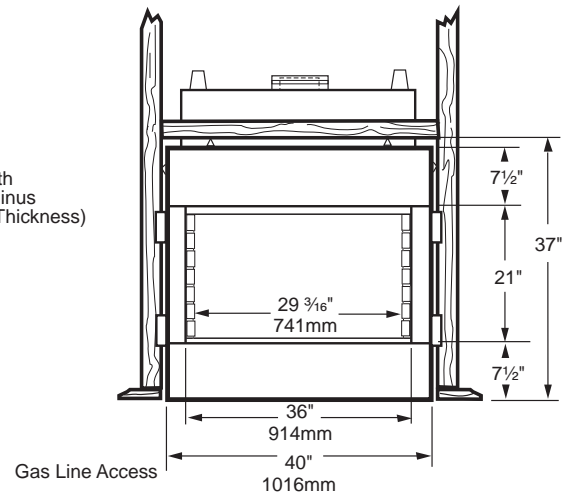
Bi-fold Glass Doors: Brushed Brass, Black, Polished Brass, Pewter  
Outside air termination completes connection from air kit to out-of-doors (AK-MST)

Hearth extension insulation provides hearth extension floor protection (EH2416/12)

Terminations (Std.): SK8 Series RLTSK8, RLTSK8L, PLTSK8, SLTSK8



Framing Width  
Will be 24" Minus  
2 x (Drywall Thickness)



A Brand of Monessen Hearth Systems Co.  
149 Cleveland Drive, Paris, Kentucky 40361  
[www.majesticproducts.com](http://www.majesticproducts.com)



To avoid personal injury or property damage, the product described by this brochure must be installed, operated and maintained in strict compliance with the instructions packaged with the product and all applicable building or fire codes. Contact local building or fire officials about restrictions and installation inspection requirements. All photographs and drawings on this brochure are for illustrative purposes only and are not intended for, nor should they be used as a substitute for the instructions packaged with the unit. Appearance and specifications of the product are subject to change without notice. 11/09