

RFSDV34 Direct Vent Steel Stove



ACTUAL DIMENSIONS

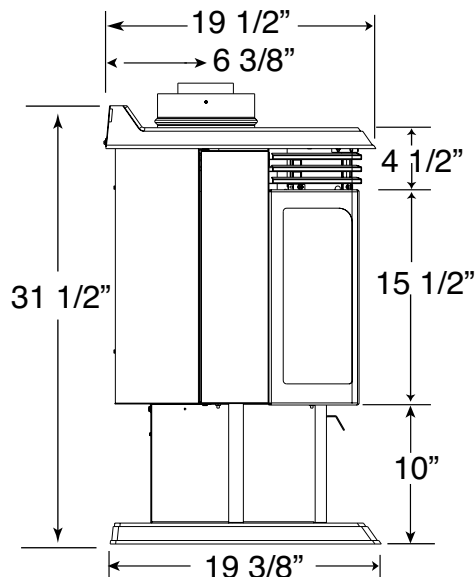
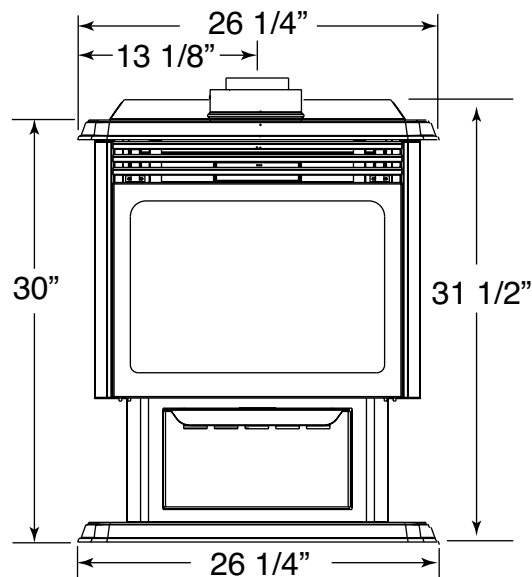
Unit Depth: 19-3/8"
 Unit Height: 31-1/2"
 Unit Width: 26-1/4"

TECHNICAL INFORMATION

BTU Input High: 30,000 LP & NG
 BTU Input Low: 22,500 LP / 21,000 NG
 Flue Type: Twist-Lock
 EnerGuide Ratings Fireplace Efficiency: 72.1%
 AFUE by D.O.E. Efficiency: 70%
 Steady State Efficiency Rating: 84% LP & 83% NG
 Weight: 155lbs.
 Clearances: Back: 0" Sides: 12"
 Comes standard with Total System Control including Fan and Remote Control

FIELD INSTALLED ACCESSORIES

Antique Brass (RFSDV34TKA) or Pewter (RFSDV34TKS) Window Trim & 7" Rings
 Polished Brass Window Trim (Flue Rings Extra) (RFSDV34TKP)
 Charcoal Gray, Polished Brass or Pewter Flue Rings



A Brand of Monessen Hearth Systems Co.
 149 Cleveland Drive, Paris, Kentucky 40361
www.majesticproducts.com



To avoid personal injury or property damage, the product described by this brochure must be installed, operated and maintained in strict compliance with the instructions packaged with the product and all applicable building or fire codes. Contact local building or fire officials about restrictions and installation inspection requirements. All photographs and drawings on this brochure are for illustrative purposes only and are not intended for, nor should they be used as a substitute for the instructions packaged with the unit. Appearance and specifications of the product are subject to change without notice. 11/10v.1