

PRODUCT SPECIFICATIONS

# BFC36 Royal Monarch Balanced-Flue Fireplace



### FIREPLACE OPENING

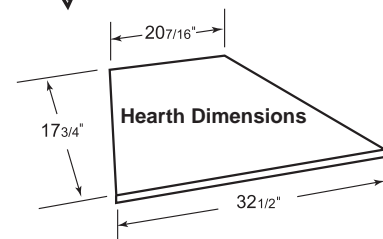
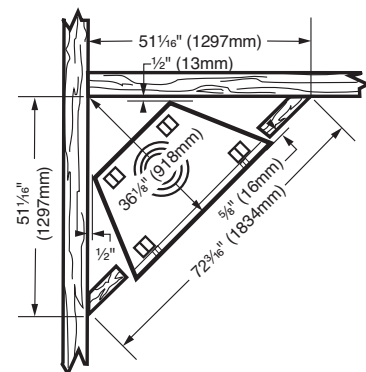
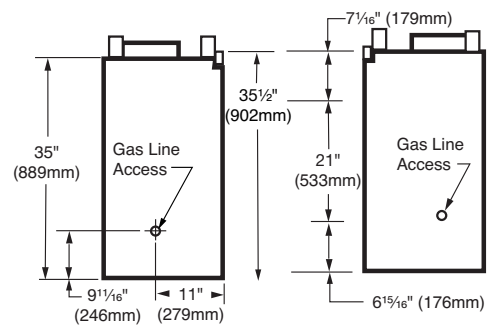
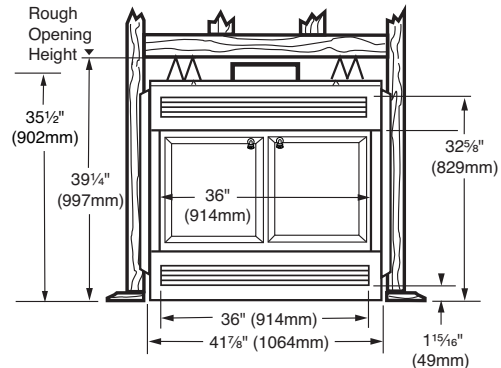
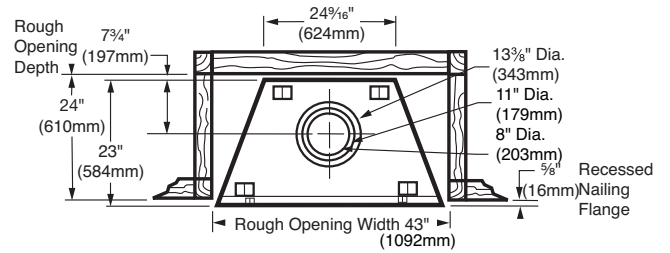
Front opening width: 36"  
 Front opening height: 21"

### TECHNICAL INFORMATION

Flue Series: 8" S-Series Triple-Wall  
 Flue Size: 8" Inner; 11" Intermediate; 13-3/8" Outer  
 Clearance to Chimney Pipe: 2"  
 Firestop Framing: 17-1/2" x 17-1/2"  
 Minimum Flue Height: 14' 6"  
 Maximum Flue Height: 50'  
 Minimum Height with 2 Elbows: 14' 6"  
 Minimum Height with 4 Elbows: 21'  
 Clearance to Fireplace: 1/2" to sides and 1" to back  
 Minimum Hearth Size: 18" x 47-1/4"  
 UL/ULC Design Certified  
 EPA Exempt Fireplace  
 Blower and speed control standard  
 Cast iron Black doors standard

### FIELD INSTALLED ACCESSORIES

Terminations (Std.): S8 Series RLTS8, RLTS8L, SLTS8  
 Uses no house air for combustion or chimney cooling



A Brand of Monessen Hearth Systems Co.  
 149 Cleveland Drive, Paris, Kentucky 40361  
[www.majesticproducts.com](http://www.majesticproducts.com)



To avoid personal injury or property damage, the product described by this brochure must be installed, operated and maintained in strict compliance with the instructions packaged with the product and all applicable building or fire codes. Contact local building or fire officials about restrictions and installation inspection requirements. All photographs and drawings on this brochure are for illustrative purposes only and are not intended for, nor should they be used as a substitute for the instructions packaged with the unit. Appearance and specifications of the product are subject to change without notice. 11/09